

Katalog náhradních dílů pro  
průmyslový šicí stroj

GARUDAN<sup>®</sup>

**GP-234 serie**



ANITA B, s.r.o.

Průmyslová 2453/7

680 01 Boskovice

Czech Republic

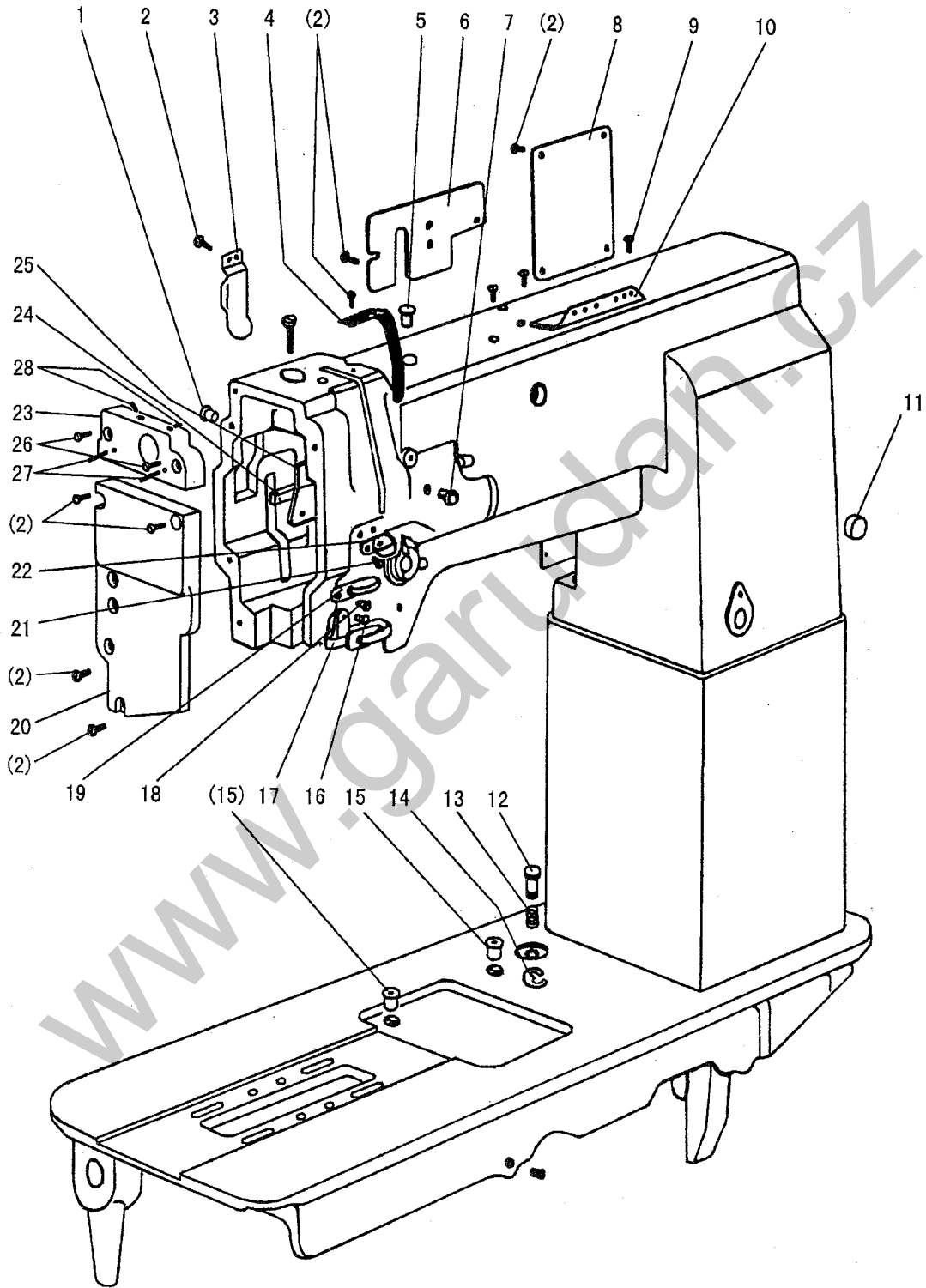
tel: +420 515 553 628

+420 515 553 621

fax: +420 515 553 626

e-mail: [info@anita.cz](mailto:info@anita.cz)

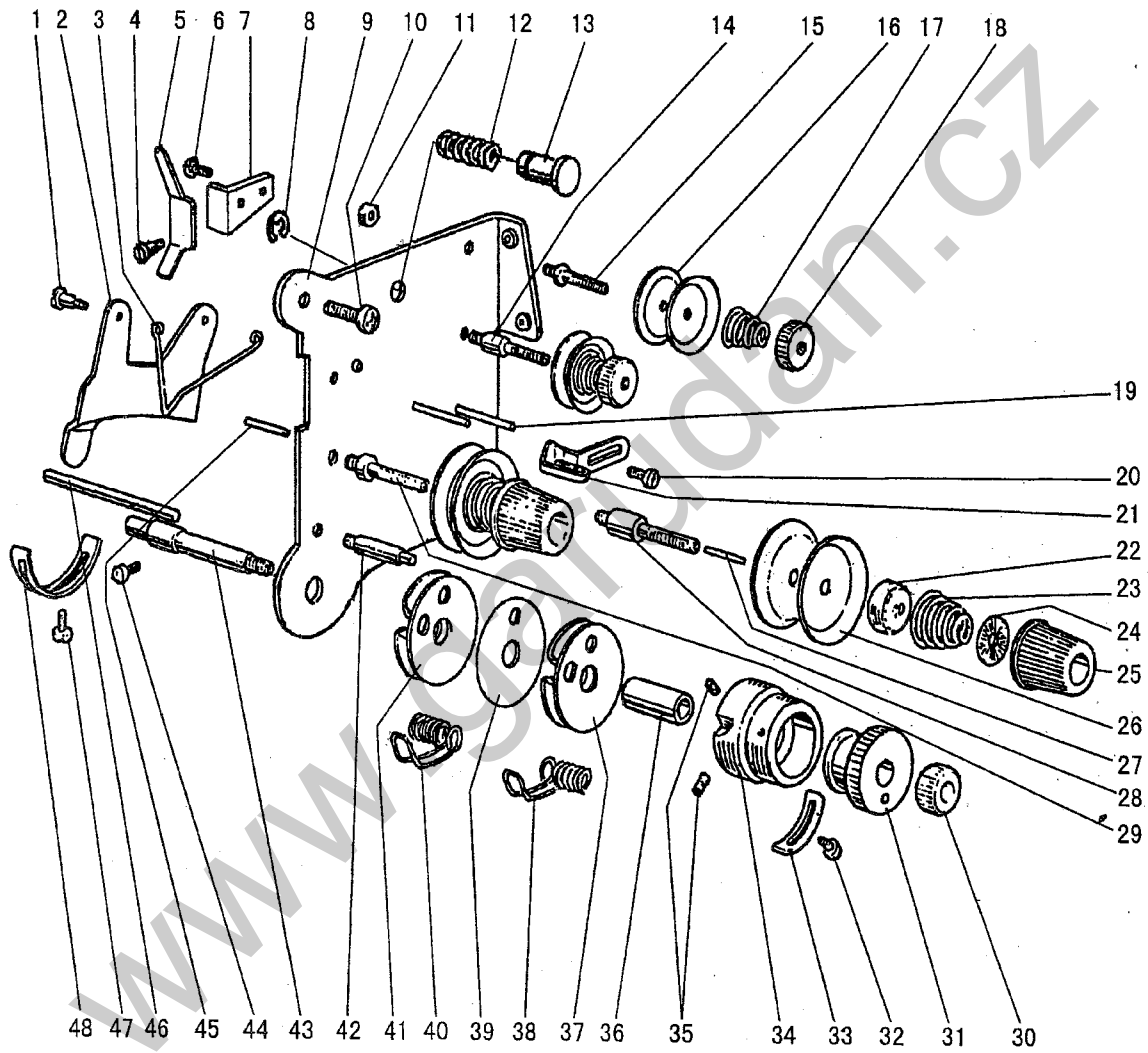
# A. ARM BED AND ITS ACCESSORIES



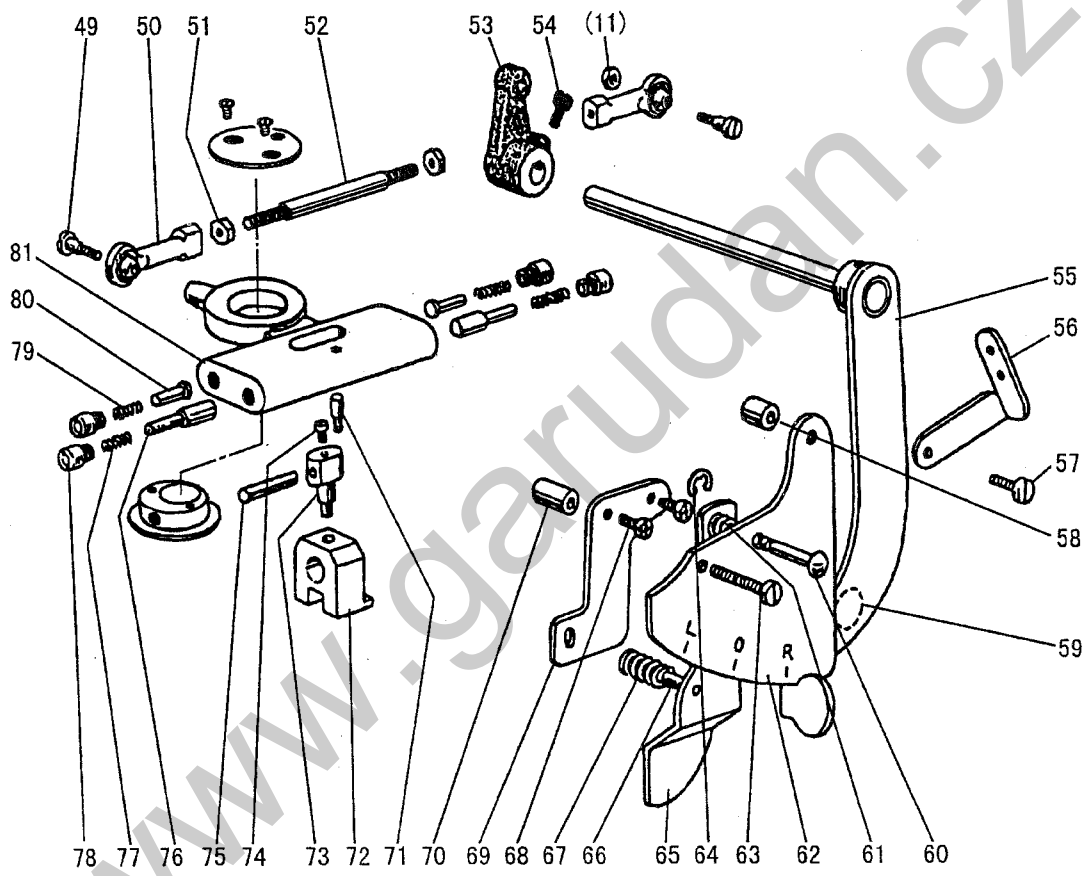
## A.ARM BED AND ITS ACCESSORIES

Fig. No.	Part No.	Description	Pcs.	Remarks
A01	HA300B2090	Rubber plug	2	
A02	HA300B2170	Screw	30	SM11/64 (40) ×9
A03	H4716B8001	Oil guide plate	1	
A04	H4717B8001	Thread take-up cover	1	
A05	H4715B8001	Rubber plug	1	
A06	H4718B8001	Arm side cover (left)	1	
A07	H2000B2010	Rubber plug	1	
A08	H4719B8001	Arm side cover (right)	1	
A09	HA700B2060	Screw	2	SM11/64 (40) ×8
A10	H2400B2100	Thread guide	1	
A11	HA307B0673	Rubber plug	1	
A12	H4715H8001	Push button	1	
A13	H4714H8001	Spring	1	
A14	H007013050	E-type ring	1	
A15	H2000M0090	Cap	2	
A16	H3200B2100	Screw	1	SM9/64 (40) ×6.5
A17	H3212B0066	Thread guide	1	
A18	H3000D2160	Screw	1	SM9/64 (40) ×4.5
A19	H4726B8001	Thread guide	1	
A20	H0213B8001	Face plate	1	
A21	H2400B2080	Screw	2	SM3/16 (28) ×12.1
A22	H2400B2070	Thread guide	1	
A23	H0212B8001	Shaft supporter	1	
A24	H2400B2060	Spacer	1	
A25	H3200B2060	Oil guide plate	1	
A26	HA7311C606	Screw	2	SM11/64(40)×15
A27	H602030200	Pin	2	
A28	HA100B2110	Screw	2	SM11/64(40)×5.5

# B. THREAD TENSION REGULATOR MECHANISM



# B. THREAD TENSION REGULATOR MECHANISM



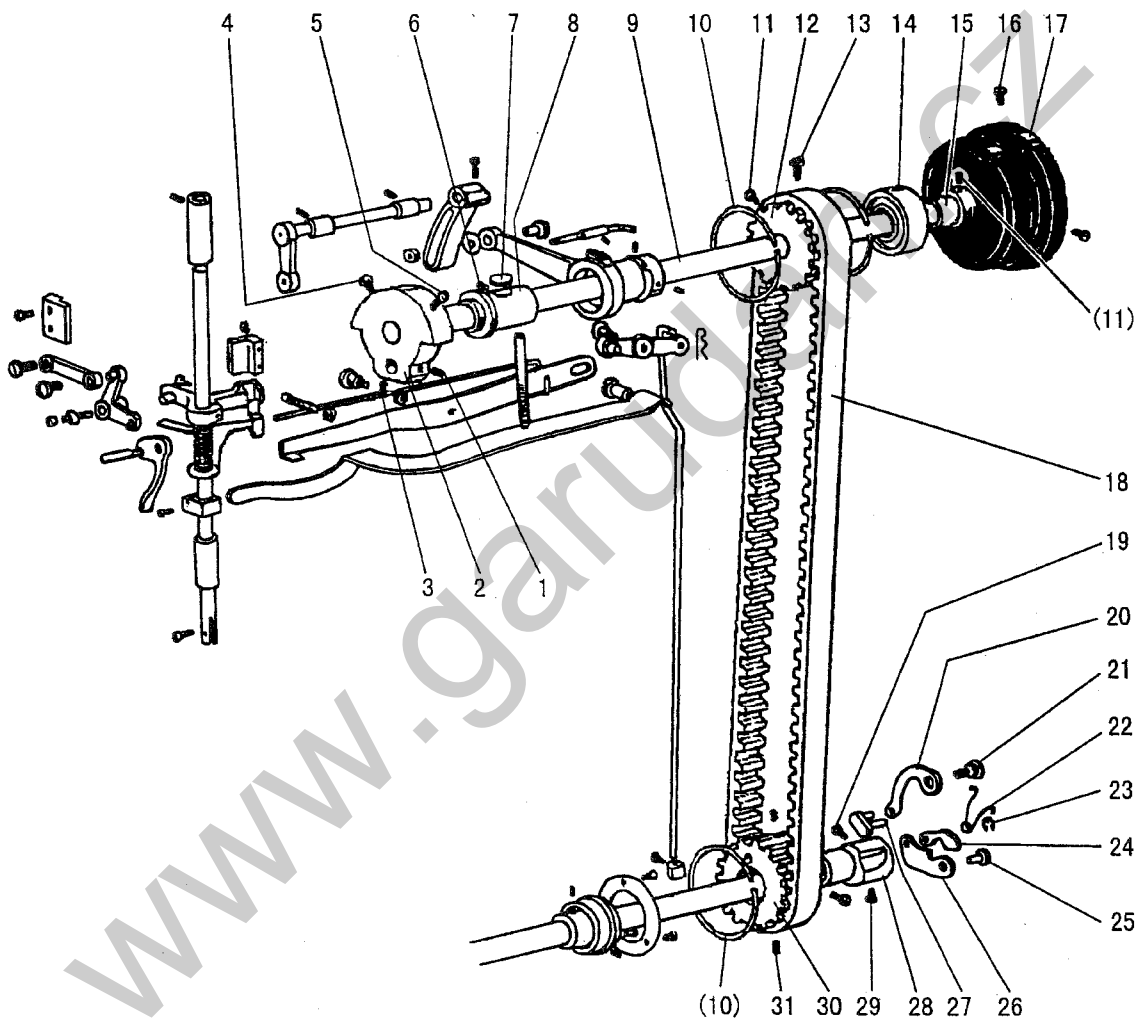
## B.THREAD TENSION REGULATOR MECHANISM

Fig. No.	Part No.	Description	Pcs.	Remarks
B01	H2504C6510	Screw	2	SM9/64 (40) ×3
B02	H3221B3142	Tension releasing plate	1	
B03	H3221B6812	Tension releasing spring	1	
B04	H4705C8001	Screw	1	SM9/64 (40) ×5.5
B05	H4706C8001	Lever	1	
B06	HA7311C306	Screw	1	SM9/64 (40) ×7
B07	H4707C8001	Mounting plate	1	
B08	H007013050	E-type ring	1	
B09	H3221B6820	Mounting plate	1	
B10	HA300C2030	Screw	2	SM11/64 (40) ×8
B11	H3221B6810	Nut	2	
B12	H4708C8001	Spring	1	
B13	H4709C8001	Push button	1	
B14	H3221B0685	Thread tension stud	1	SM11/64 (40) ×14
B15	H3221B0683	Thread tension stud	1	SM11/64 (40) ×14
B16	HA112B0693	Thread tension disc	4	
B17	H3300B2040	Spring	2	
B18	HA710B0671	Thumb nut	2	
B19	H3221B0682	Pin	3	
B20	HA106B0676	Screw	1	SM9/64 (40) ×6
B21	H3306B0661	Thread guide	1	
B22	HA310B0702	Tension releasing disc	2	
B23	H4710C8001	Spring	2	
B24	HA115B7010	Thumb nut revolution stopper	2	
B25	HA310B0701	Thumb nut	2	
B26	HA310B0705	Thread tension disc	4	
B27	H3221B6816	Pin	1	
B28	H3221B0689	Thread tension stud	1	SM1/4 (40) ×23
B29	H3221B0686	Thread tension stud	1	SM1/4 (40) ×23
B30	H32481B721	Thumb nut	1	
B31	H32481B621	Take-up spring guide	1	
B32	H32481BC21	Screw	1	SM9/64 (40) ×6
B33	H32481BB21	Stopper	1	
B34	H32481B921	Thread tension post	1	
B35	H32481B521	Screw	2	SM1/8 (44) ×3.9
B36	H32481B821	Bushing	1	
B37	H32481BF21	Plate complete	1	
B38	H4712C8001	Thread take-up spring	1	
B39	H32481BE21	Plate complete	1	
B40	H4713C8001	Thread take-up spring	1	
B41	H32481BD21	Plate complete	1	
B42	H32481B421	Thread tension stud	1	SM9/64 (40) ×2.9
B43	H32481B121	Thread tension stud	1	SM1/4 (40) ×38.5

## B.THREAD TENSION REGULATOR MECHANISM

Fig. No.	Part No.	Description	Pcs.	Remarks
B44	H3230K0751	Screw	1	SM11/64 (40) ×10
B45	H3221B6817	Pin	1	
B46	H4769E8001	Pin	1	
B47	H3200B2100	Screw	1	SM9/64 (40) ×6.5
B48	H3221B6819	Stopper	1	
B49	H3400D2030	Screw	2	SM11/64(40)×9.5
B50	H3405D0663	Link	2	JKM5
B51	H003057050	Nut	2	
B52	H3405D0661	Screw bar	1	
B53	H0207C8001	Crank	1	
B54	HE512D8001	Screw	1	SM11/64 (32) ×12
B55	H0204C7101	Stop motion control lever complete	1	
B56	H3400L0050	Thread guide	1	
B57	HA7311C606	Screw	1	SM11/64(40)×15
B58	H3400D2060	Cannulation	1	L=7.7
B59	H3407D0671	Pin	1	
B60	H3408D0681	Pin	1	
B61	H3408D0682	Spring	1	
B62	H3408D0686	Tension bracket	1	
B63	H0210C8001	Screw	1	SM11/64(40)×22
B64	H007013040	E-type ring	1	GB/T896 4
B65	H3408D0684	Lever	1	
B66	H3408D0685	Pin	1	
B67	H3400D2100	Spring	1	
B68	HA300C2030	Screw	2	SM11/64(40)×8
B69	H0208C8001	Plate	1	
B70	H0209C8001	Cannulation	1	L=15.2
B71	H3400D2110	Screw	1	SM9/64(40)×5
B72	H3210C3021	Crank	1	
B73	H3404D0652	Pin	1	
B74	HA7311CC06	Screw	1	SM9/64 (40) ×6.5
B75	H3404D0653	Pin	1	
B76	H3404D0655	Pin	2	
B77	H3404D0657	Spring	2	
B78	H3404D0656	Screw	4	SM5/16 (28) ×4
B79	H3404D0658	Spring	2	
B80	H3404D0654	Pin	2	
B81	H3404D0651	Guide	1	

# C. ARM SHAFT MECHANISM

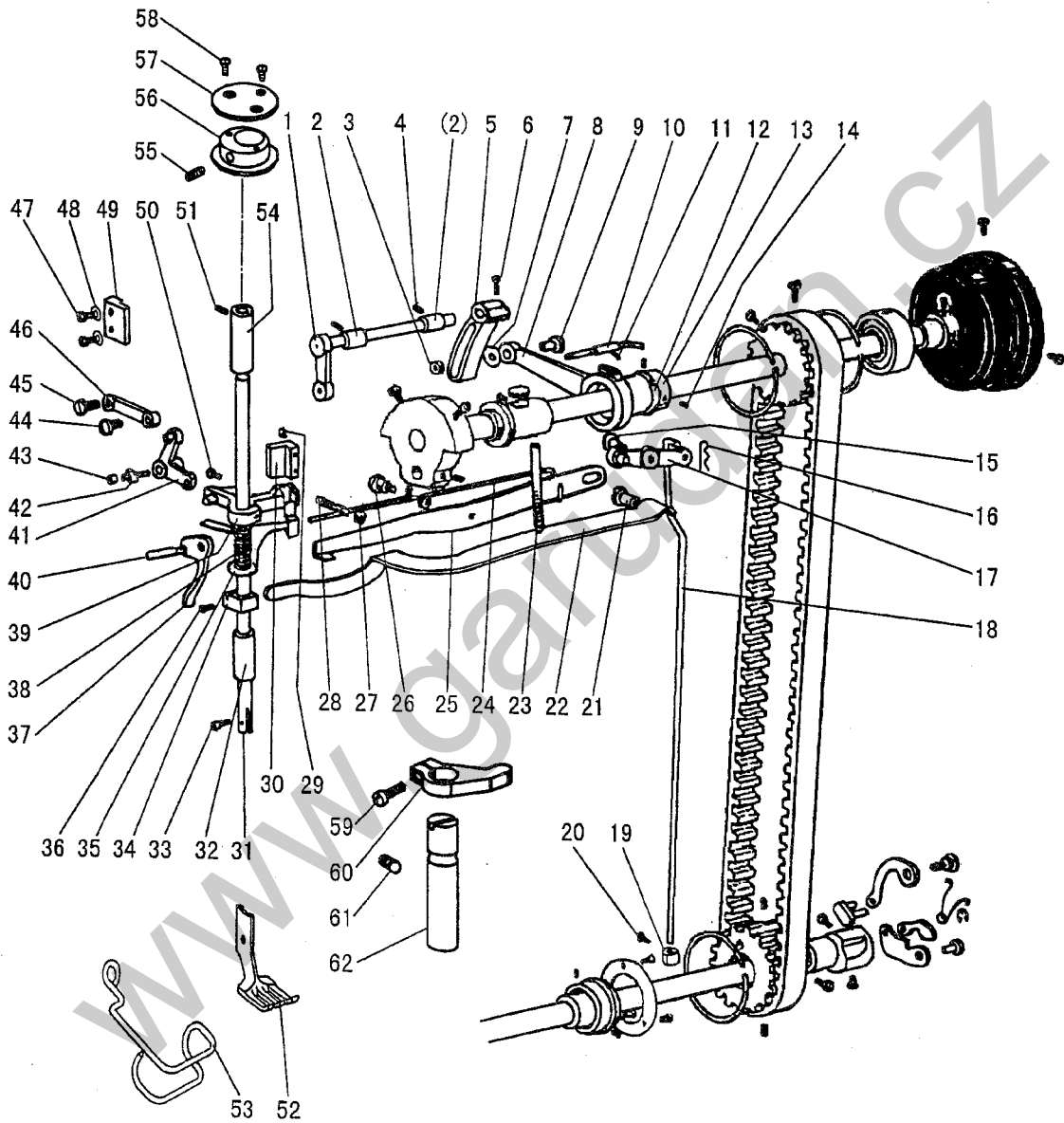




## C.ARM SHAFT MECHANISM

Fig. No.	Part No.	Description	Pcs.	Remarks
C01	HA307C0662	Set screw	1	SM1/4 (40) ×6
C02	H3404B0011	Crank	1	
C03	HA105D0662	Set screw	1	SM1/4 (40) ×4
C04	HA100C2060	Screw	1	SM9/32 (28) ×13
C05	HA100C2070	Screw	1	SM9/32 (28) ×14
C06	H4708D8001	Set screw	1	SM1/4(24)×13
C07	H32111B104	Felt	1	
C08	H32111B204	Arm shaft bushing (left)	1	
C09	H4709D8001	Arm shaft	1	
C10	H3205C0661	Spring flange	3	
C11	HA113F0684	Screw	3	SM15/64 (28) ×8.5
C12	H3205C1021	Pulley	1	
C13	HA100F2130	Screw	1	SM15/64 (28) ×14.5
C14	H3205J0662	Bearing	1	
C15	H3205J0661	Collar	1	
C16	HA110D0672	Screw	2	SM15/64 (28) ×12
C17	H4100C2040	Pulley	1	
C18	H6304C8001	Cog belt	1	
C19	HA104F0654	Screw	1	SM15/64 (28) ×10
C20	H4713D8001	Link	1	
C21	H4714D8001	Pin	1	
C22	H4716D8001	Spring	1	
C23	H007013025	E-type ring	1	
C24	H4717D8001	Link	1	
C25	H4718D8001	Pin	1	
C26	H4719D8001	Link	1	
C27	H4715D8001	Pin	1	
C28	H4720D8001	Bushing	1	
C29	H4721D8001	Screw	1	SM15/64(28)×10.5
C30	H4722D8001	Pulley	1	
C31	H4723D8001	Screw	2	SM15/64(28)×4.5

# D. PRESSER FOOT MECHANISM



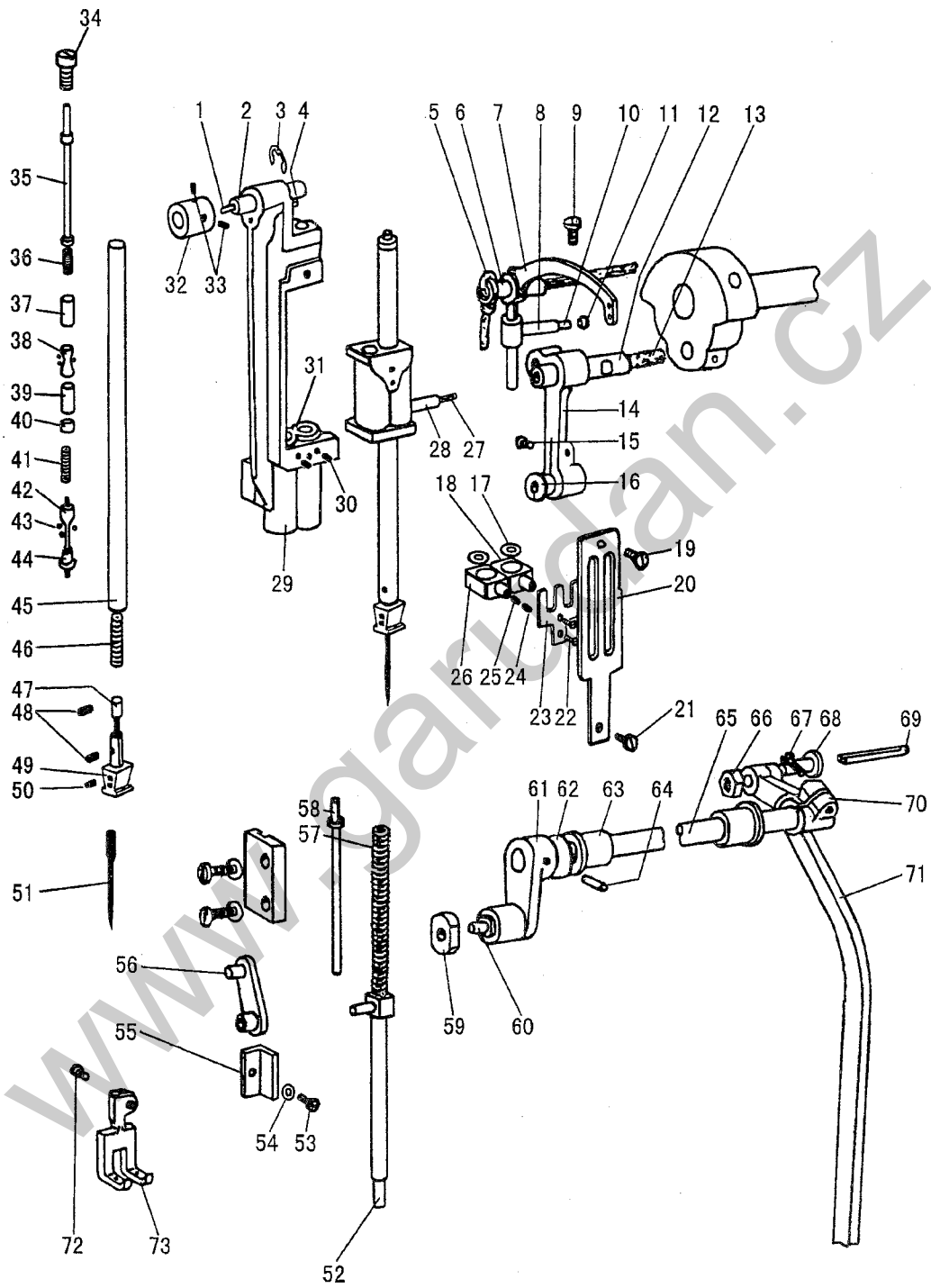
## D.PRESSER FOOT MECHANISM

Fig. No.	Part No.	Description	Pcs.	Remarks
D01	H4705E8001	Feed lifting rock shaft	1	
D02	H4707E8001	Bushing	2	
D03	H003058060	Nut	1	(M6×0.75)
D04	H4706E8001	Set screw	2	SM1/4 (24)×7
D05	H4709E8001	Crank	1	
D06	H3115F0671	Screw	1	SM1/4 (28) ×16
D07	H2013J0065	Washer	1	
D08	H2014J0066	Connecting rod	1	
D09	H2000J2100	Screw	1	M6(0.75)×24
D10	H4713E8001	Oil wick	1	
D11	H20111C106	Holder	1	
D12	H007009250	C-type ring	1	
D13	H4714E8001	Eccentric	1	
D14	HA307C0662	Screw	2	SM1/4 (40) ×6
D15	H4732E8001	Screw	1	SM1/4 (24) ×14
D16	H4739E8001	Snap pin	1	
D17	H4734E7101	Knee lifter lifting lever	1	
D18	H0204E8001	Operation rod	1	
D19	H4741E8001	Collar	1	
D20	H4742E8001	Screw	1	SM11/64 (40) ×5.5
D21	H3100G2170	Screw	1	SM1/4 (24) ×17
D22	H4730E8001	Lever spring	1	
D23	H4729E8001	Screw	1	SM15/64 (28) ×79
D24	H4727E8001	Twist spring	1	
D25	H4728E8001	Knee lifting lever	1	
D26	H3100G2130	Screw	1	SM1/4 (24) ×7
D27	H4726E8001	Nut	1	
D28	H4725E8001	Screw	1	SM1/4 (24) ×19
D29	HA111G0683	Screw	2	SM11/64(40)×12
D30	H4723E8001	Guide	1	
D31	H4754E8001	Presser bar	1	
D32	H4744E8001	Bushing	1	
D33	H3200E2020	Screw	1	SM1/8(44)×9
D34	H4746E8001	Spring bracket	1	
D35	H4768E8001	Thread releasing plate	1	
D36	H2404I0034	Screw	1	SM9/64 (40) ×8.5
D37	H4748E8001	Lift lever	1	
D38	H4767E8001	Spring	1	
D39	H4752E8001	Bracket	1	
D40	H4749E8001	Screw	1	SM11/64 (40) ×8.5
D41	H0207E8001	Bell crank	1	
D42	H2004J0655	Screw	1	SM3/16 (28) ×10
D43	H4717E8001	Roller	1	

## D.PRESSER FOOT MECHANISM

Fig. No.	Part No.	Description	Pcs.	Remarks
D44	H4718E8001	Screw	1	SM11/64(32)×6
D45	H2004J0662	Screw	1	SM1/4(40)×5
D46	H4719E8001	Link	1	
D47	HA100E2150	Screw	2	SM11/64 (40) ×10
D48	H4722E8001	Washer	2	
D49	H4721E8001	Bell crank guide	1	
D50	H4753E8001	Screw	1	SM11/64 (40) ×17.5
D51	H4708D8001	Set screw	2	SM1/4(24)×13
D52	HE504D8001	Lifting presser	1	5/16
D52	HE304E8001	Lifting presser	1	3/8
D53	HE013N8001	Finger gusrd	1	
D54	H0205E8001	Bushing	1	
D55	H3210F0681	Screw	1	M5×6
D56	HE510D8001	Bushing	1	
D57	HE511D8001	Cover	1	
D58	HE106F8001	Screw	2	SM1/8(44)×6
D59	HE512D8001	Screw	1	
D60	HE507D8001	Crank	1	
D61	H4708D8001	Screw	1	SM1/4(24)×13
D62	H0206E8001	Presser bar position guide	1	

# E. NEEDLE BAR & THREAD TAKE-UP LEVER MECHANISM



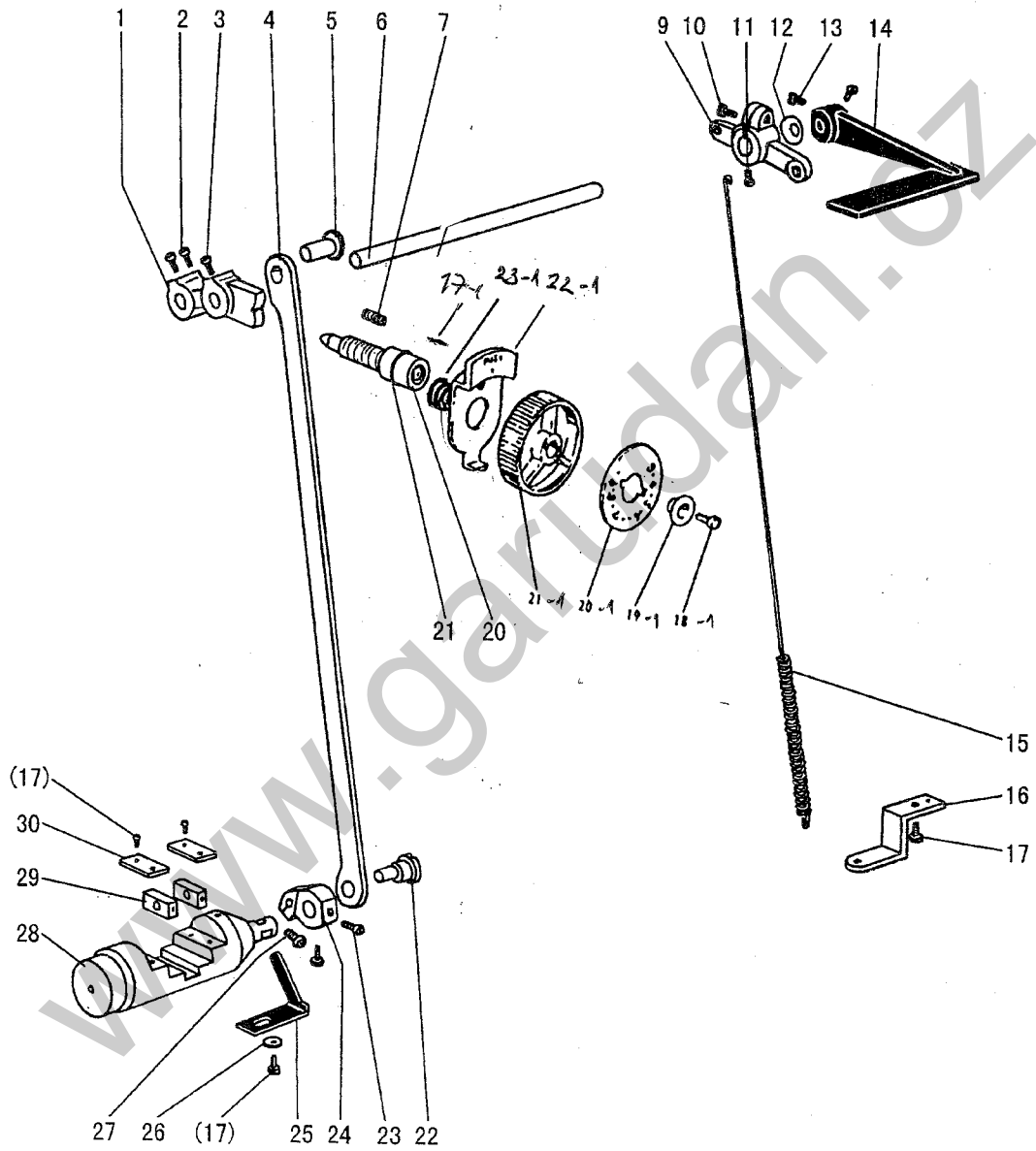
## E.NEEDLE BAR & THREAD TAKE-UP LEVER MECHANISM

Fig. No.	Part No.	Description	Pcs.	Remarks
E01	H3410C3023	Oil wick	1	
E02	H3410C3022	Shaft	1	
E03	H007013070	E-type ring	1	GB/T896 7
E04	H609030220	Pin	1	GB/T879.1 3×22
E05	H24211DN05	Oil wick	1	
E06	H24211DM05	Shaft	1	
E07	HE033C8001	Thread take-up lever	1	
E08	HE034C8001	Thread take-up slide brock	1	
E09	HA110D0672	Screw	1	SM15/64(28)×12
E10	H24211D405	Oil wick	1	
E11	H24211D305	Plug	1	
E12	H2405D0662	Needle bar crank pin	1	
E13	H4716F8001	Oil wick	1	
E14	H3409C0671	Needle bar connecting link	1	
E15	HA100H2050	Screw	1	SM9/64(40)×11
E16	H3409C0672	Bushing	1	
E17	H3410C3016	Washer	4	
E18	H3410C3015	Needle bar holder	1	
E19	H3410C301K	Screw	1	SM9/64(40)×6.5
E20	HE523E8001	Guide plate	1	
E21	HA7121N304	Screw	1	
E22	H3410C301C	Screw	1	SM3/32(56)×4.2
E23	H3410C301B	Needle bar supporter	1	
E24	H3410C3019	Screw	1	SM9/64(40)×3.5
E25	H3410C3018	Needle bar holding stopper	1	
E26	H3410C3017	Needle bar holder	1	
E27	H3204D6513	Felt	1	
E28	H3410C3014	Needle bar holder	1	
E29	HE505E8001	Needle bar rock frame	1	
E30	H34411C410	Screw	2	SM9/64(40)×4
E31	H34411C310	Bashing for needle bar supporter	2	
E32	H3410C3025	Bashing	1	
E33	HA605E0662	Screw	2	
E34	H34412C810	Screw	2	M5.5×5
E35	H34412C510	Pin	2	
E36	H34412C110	Spring	2	
E37	H34412C210	Sleeve	2	
E38	H34412C310	Pin	2	
E39	H3410C1261	Nut	2	SM5/64(64)×6
E40	H3410C1262	Nut	2	SM5/64(64)×2
E41	H3410C1265	Spring	2	
E42	H3410C1263	Stud	2	
E43	H3410C301I	Steel ball	12	

## E.NEEDLE BAR & THREAD TAKE-UP LEVER MECHANISM

Fig. No.	Part No.	Description	Pcs.	Remarks
E44	H3410C1264	Triangle pin	2	SM5/64(64)×8
E45	H34411C210	Needle bar	2	
E46	H34412C410	Spring	2	
E47	H34412C910	Stopper for needle clamp	2	
E48	H34412C710	Screw	4	SM1/8(44)×6
E49	HE516E8001	Needle clamp	2	5/16
E49	HE524E8001	Needle clamp	2	3/8
E50	H32481B521	Screw	2	
E51	H4740F8001	Needle	2	
E52	HE505D8001	Vibrating presser bar	1	
E53	H3400C2020	Bolt	1	SM11/64(40)×12
E54	H3200I2030	Washer	1	
E55	H3400C2010	Needle bar guide	1	
E56	H0206F8001	Vibrating presser bar link	1	
E57	H3100F2060	Spring	1	
E58	HE506D7101	Vibrating presser spring guide	1	
E59	H3410C301P	Square block	1	
E60	H3406C0671	Screw	1	SM15/64(28)×10
E61	H3406C0672	Needle bar vibrating crank(left)	1	
E62	H3400C2050	Washer	1	
E63	H3204B0652	Bushing	2	
E64	H602040200	Taper pin	1	GB/T117 4X20
E65	H4736F8001	Needle bar vibrating shaft	1	
E66	H7107F8001	Nut	1	
E67	H2012N0652	Screw	1	
E68	H7108F8001	Screw	1	
E69	H32311D406	Oil wick	1	
E70	H7104F8001	Needle bar vibrating crank(right)	1	
E71	H0205F8001	Connecting link	1	
E72	HE009D8001	Screw	1	
E73	HE508D8001	Vibrating presser foot	1	5/16
E73	HE305E8001	Vibrating presser foot	1	3/8

# F. STITCH REGULATOR MECHANISM

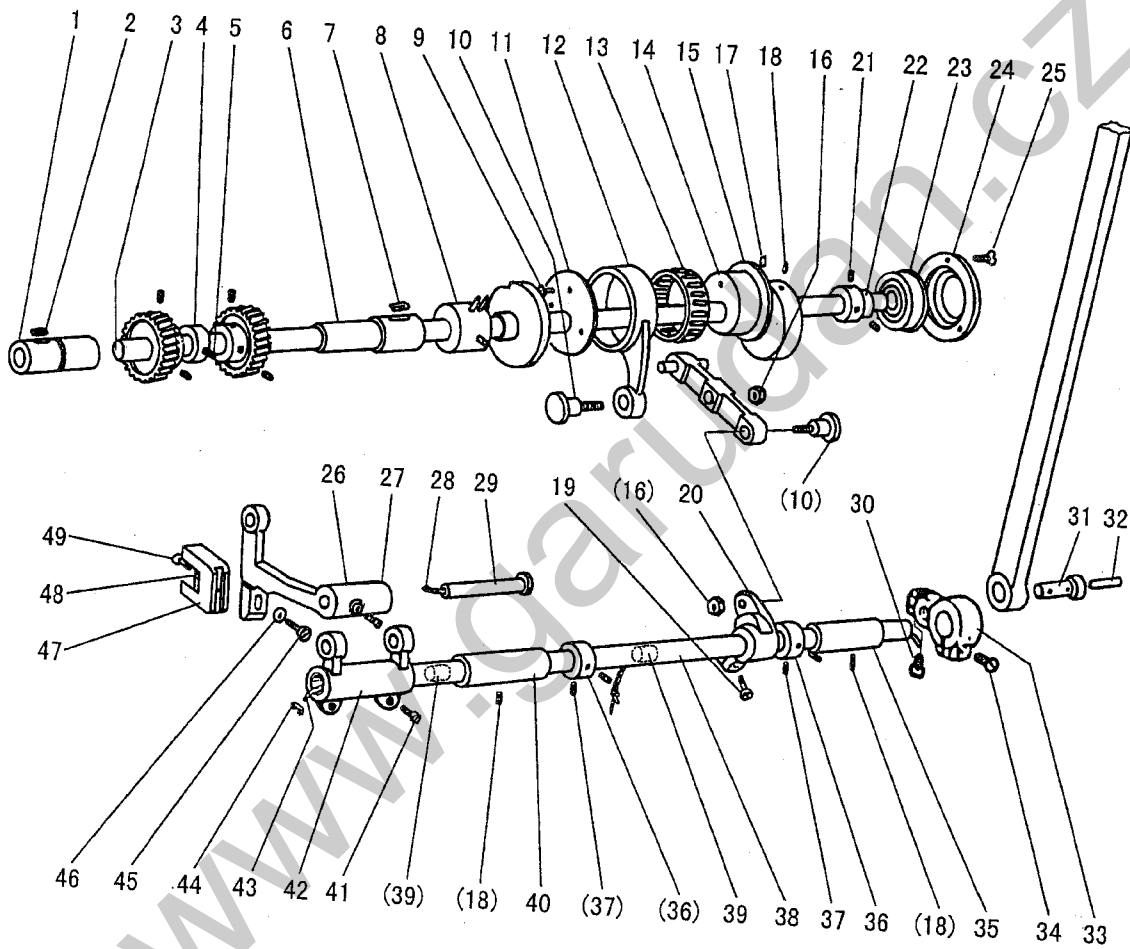




## F.STITCH REGULATOR MECHANISM

Fig. No.	Part No.	Description	Pcs.	Remarks
F01	H6309F8001	Feed regulator	1	
F02	HA113F0684	Screw	2	SM15/64 (28) ×8.5
F03	H3200F2020	Screw	1	SM15/64 (28) ×12
F04	H6304F8001	Link	1	
F05	HA100G2070	Eccentric shaft	1	
F06	H0204G8001	Reverse stitch shaft	1	
F07	H3200F2110	Spring	1	
F08	HA100F2080	Stopper pin	1	
F09	H3207F0671	Reverse stitch crank	1	
F10	HA800F2020	Screw	1	SM15/64 (28) ×13.5
F11	H3207F0672	Screw	1	SM11/64 (40) ×8.5
F12	HA100F2110	Washer	1	
F13	HA113F0684	Screw	2	SM15/64 (28) ×8.5
F14	H4711G8001	Feed reversing lever	1	
F15	H6307F8001	Spring	1	
F16	H3200F2050	Bracket for spring	1	
F17	HA300C2030	Screw	4	SM11/64 (40) ×8
F18	HA109F0673	Screw	1	SM3/16 (28) ×8.6
F19	H3304F0652	Dial	1	
F20	HA109F0671	Screw bar	1	T7/16 (8) ×54.3
F21	HA109F0674	O-ring	1	
F22	H3206F0662	Pin	1	
F23	H3210F0681	Screw	2	M5×6
F24	H3210F0683	Reverse stitch shaft crank	1	
F25	H3200F2080	Holding plate	1	
F26	HA703R0067	Washer	1	
F27	H3210F0682	Screw	1	M5×14
F28	H3212F0692	Reverse bar	1	
F29	H3208G0672	Square block	2	
F30	H3212F0691	Guide plate	2	
F 17-1	8215-003	Pin	A	
F 18-1	8215-017D6	Screw		
F 19-1	8215-017D5	Bushing		
F 20-1	49H06-007P01	Stitch lenght		
F 21-1	8215-017D2a1	Dial		
F 22-1	8215-01703	Stopper		
F 23-1	8215-017D7	Coil spring	1	

# G. LOWER SHAFT & FEED ROCK SHAFT MECHANISM



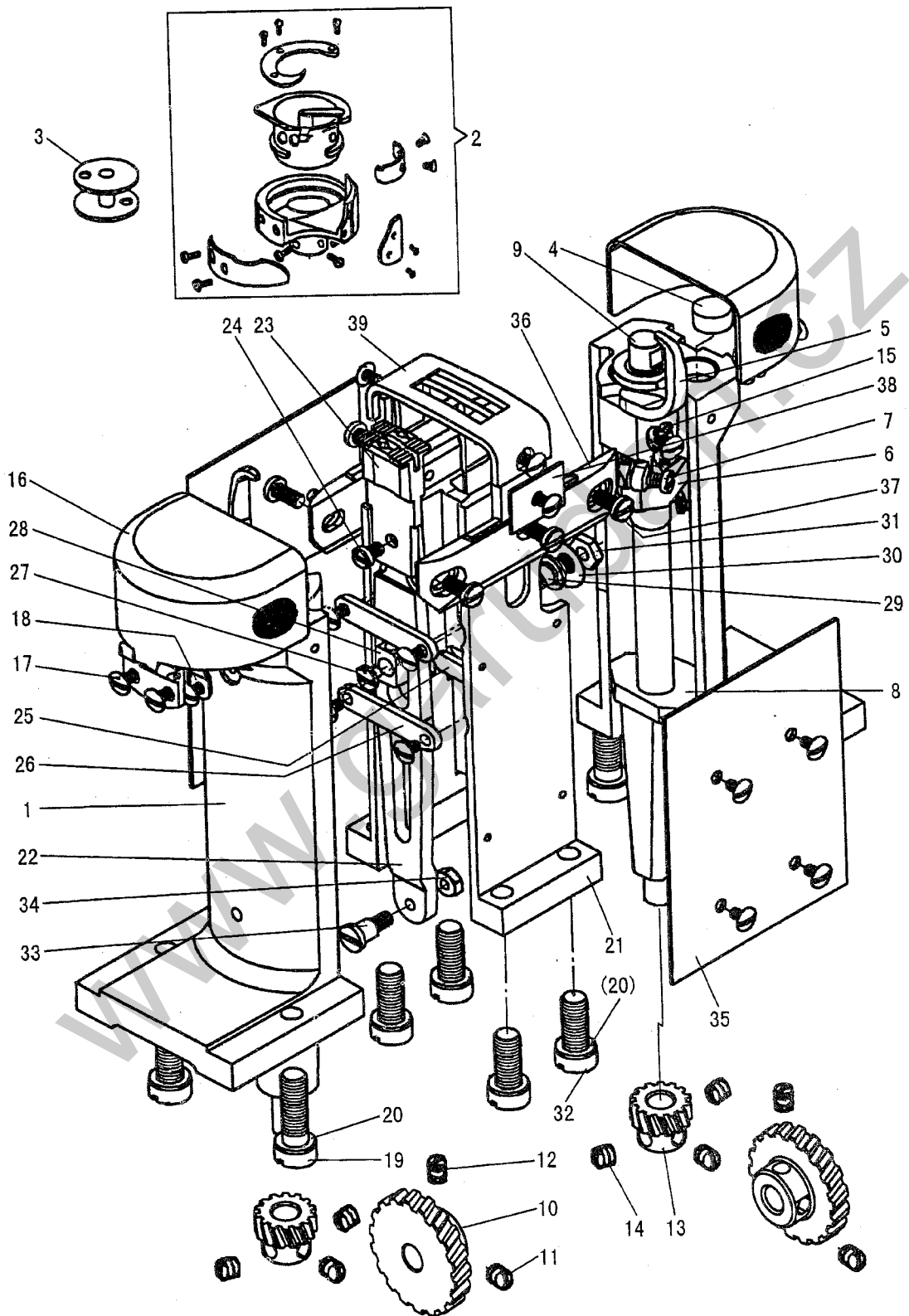
## G.LOWER SHAFT & FEED ROCK SHAFT MECHANISM

Fig. No.	Part No.	Description	Pcs.	Remarks
G01	H6315B8001	Lower shaft bushing(left)	1	
G02	H32132B204	Oil wick	1	
G03	H0204H8001	Lower shaft	1	
G04	H3205H0655	Feed lifting cam	1	
G05	H3205H0654	Set screw	1	SM1/4(40)×5
G06	H6317B8001	Lower shaft bushing(right)	1	
G07	H32132B204	Oil wick	1	
G08	H3204B0054	Lower shaft bushing(middle)	1	
G09	HA700F2100	Screw	3	SM11/64 (40) ×7
G10	H3208G0674	Screw	2	SM1/4 (24) ×15
G11	H32372G208	Washer	1	
G12	H32372G408	Feed connecting rod	1	
G13	H32372G308	Needle bearing	1	
G14	H3305G1011	Lever feed connecting cam	1	
G15	H3208G2011	Link	2	
G16	H3208G0675	Nut	1	SM15/64 (28) ×14
G17	H2405D0664	Set screw	3	SM15/64 (28) ×14
G18	H3208G0676	Screw	1	SM15/64 (28) ×14
G19	H3208G0676	Screw	1	SM15/64 (28) ×14
G20	H3208G0673	Connecting rod crank(middle)	1	
G21	HA105D0662	Set screw	2	SM1/4 (40) ×4
G22	H3208H0662	Bushing	1	
G23	H3208H0661	Ball bearing	1	
G24	H3200H2060	Bearing holder	1	
G25	HA7311C306	Screw	3	SM9/64 (40) ×7
G26	H6305G8001	Feed bar	1	
G27	H429050050	Screw	1	
G28	H3205G0662	Oil wick	1	
G29	H32243G205	Feed bar shaft	1	
G30	HA104G0012	Screw	1	SM3/16 (28) ×12
G31	H3407C0664	Pin	1	
G32	H24211D405	Oil wick	1	
G33	H3407C0663	Connecting rod crank(right)	1	
G34	H2012N0652	Screw	1	SM1/4 (24) ×16
G35	H3204B0656	Feed rock shaft bushing(right)	1	
G36	HA108G0066	Collar	2	
G37	HA105D0662	Screw	4	SM1/4 (40) ×4
G38	H3204G0651	Feed rock shaft	1	
G39	H3204G0652	Felt	2	
G40	HA100G2120	Feed rock shaft bushing(left)	1	
G41	HA104G0012	Screw	2	SM3/16 (28) ×12
G42	H3205G1032	Feed rock shaft crank(left)	1	
G43	H3204G0031	Oil wick	1	

## G.LOWER SHAFT & FEED ROCK SHAFT MECHANISM

Fig. No.	Part No.	Description	Pcs.	Remarks
G44	H3200G2030	Holder	1	
G45	H3200H2040	Bolt	1	
G46	H2013J0065	Washer	1	
G47	H3205H0651	Feed bar connecting fork	1	
G48	H3205H0652	Felt	1	
G49	H3205H0653	Screw	1	SM1/8 (44) x4

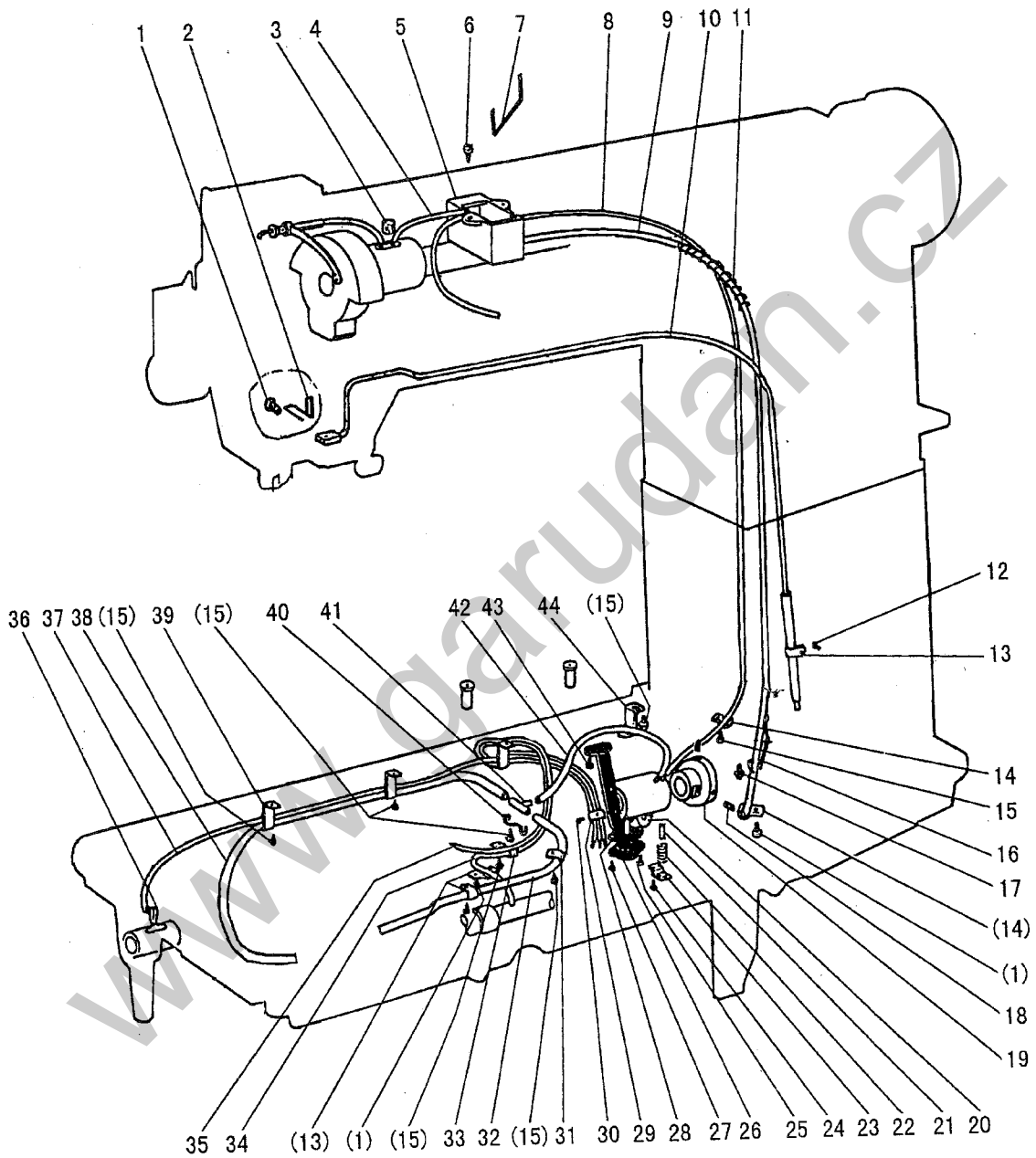
# H. HOOK SADDLE MECHANISM



## H.HOOK SADDLE MECHANISM

Fig. No.	Part No.	Description	Pcs.	Remarks
H01	HE504J8001	Hook saddle		
H02	HE507J7101	Hook	2	
H03	HE509J8001	Bobbin	2	KRT8-LPK
H04	HE511J8001	Felt	2	
H05	HE512J8001	Opener	2	
H06	HE513J8001	Crank	2	
H07	HE022K8001	Screw	2	
H08	HE514J8001	Felt	2	SM11/64 (32) ×9
H09	HE515J8001	Hook shaft	2	
H10	H32142I104	Gear(large)	2	
H11	HA307C0662	Set screw	2	
H12	H3204I6510	Set screw	2	SM1/4 (40) ×6
H13	H32142I204	Gear (small)	2	SM1/4(40)×6.5
H14	HA105D0662	Set screw	2	
H15	HE516J8001	Oil wick	6	SM1/4 (40) ×4
H16	HE518J7101	Slide plate	2	
H17	HE517J8001	Screw	2	
H18	HE524J8001	Spring plate	24	SM9/64 (40) ×5.5
H19	HE525J8001	Screw	2	
H20	H005001080	Washer	4	SM5/16 (20) ×26
H21	HE528J8001	Feed bar set bracket	8	GB/T97.1 8
H22	HE530J8001	Feed bar	1	
H23	HE531J8001	Feed dog	1	
H23	HE306I8001	Feed dog	1	5/16
H24	HE012E8001	Screw	1	3/8
H25	HE532J8001	Felt	1	SM11/64 (32) ×6.5
H26	HE533J8001	Support plate	2	
H27	HE123I8001	Screw	2	
H28	HE535J8001	Square block	1	SM1/8 (44) ×4
H29	HE536J8001	Screw	1	
H30	HE045D8001	Washer	1	SM7/32 (32) ×4.5
H31	HE021B8001	Nut	1	
H32	HE538J8001	Screw	1	
H33	H0204I8001	Screw	4	SM5/16 (20) ×18
H34	HE540J8001	Nut	1	SM3/16 (32) ×7.5
H35	HE541J8001	Cover plate	1	
H36	HE542J8001	Hook support bracket	2	
H37	HE543J8001	Screw	2	
H38	HE544J8001	Plate	6	SM3/16 (32) ×9.5
H38	HE307I8001	Plate	2	5/16
H39	HE545J8001	Needle plate	2	3/8
H39	HE308I8001	Needle plate	1	5/16
			1	3/8

# I. OIL LUBRICATION MECHANISM



## I.OIL LUBRICATION MECHANISM

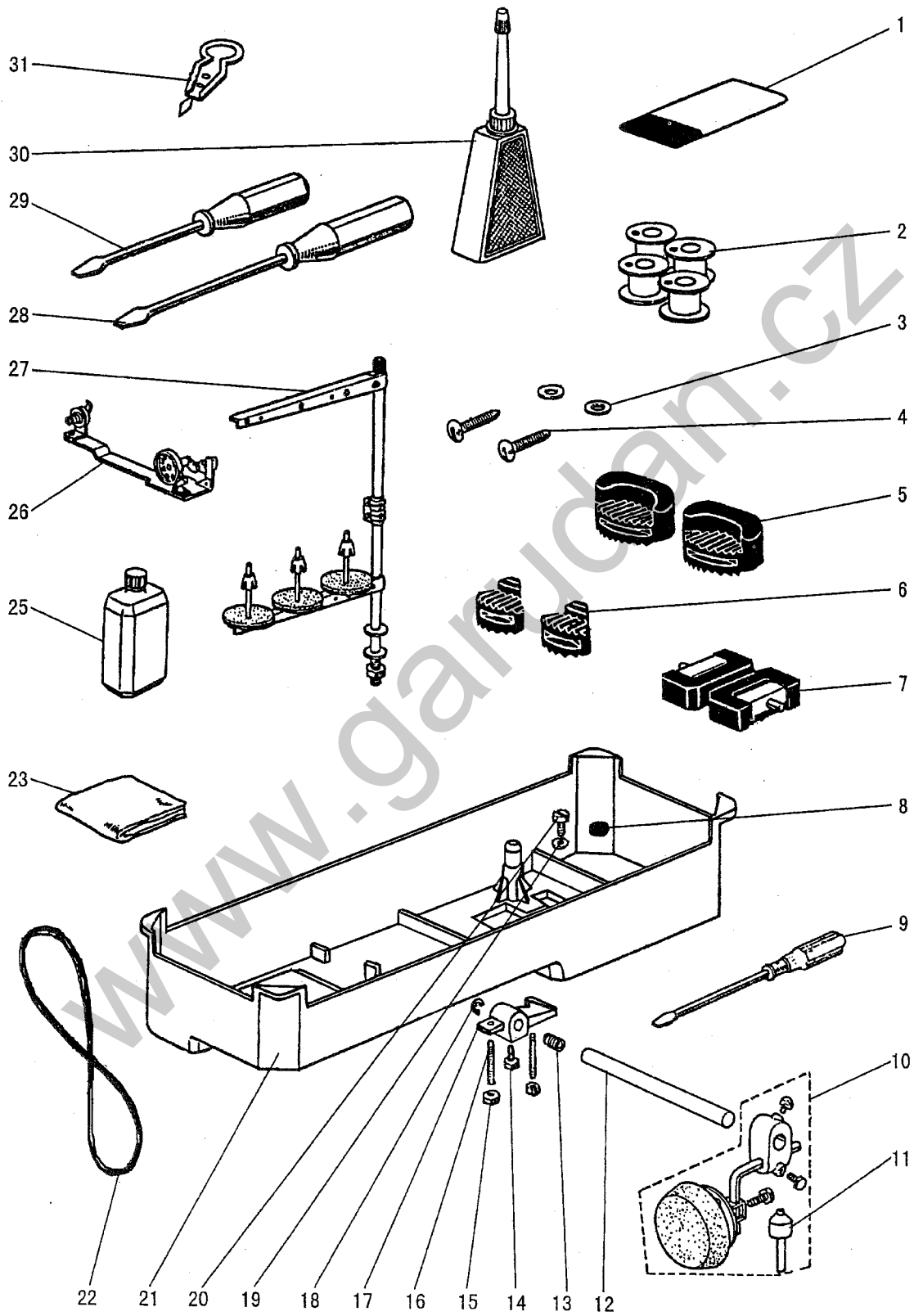
Fig. No.	Part No.	Description	Pcs.	Remarks	
I01	HA300C2030	Screw	3	SM11/64 (40) ×8	
I02	H4731J8001	Holder	1		
I03	H32175B304	Felt	1		
I04	H4705J7101	Oil pipe & wick complete	1		
I05	H3204K0011	Oil tank complete	1		
I06	H411040160	Screw	2		
I07	H4707J8001	Holder	1		GB/T819.1 M4×16
I08	H0204K8001	Oil pipe	1		
I09	H0205K8001	Oil pipe	1		SM9/64 (40) ×6.5
I10	H0206K7101	Oil pipe complete	1		
I11	H4710J8001	Spring	2		
I12	HA7311CC06	Screw	7		
I13	H2000M0110	Holder	1		
I14	H3200K0190	Holder	2		
I15	HA300B2130	Screw	6	SM11/64 (40) ×5.5	
I16	H3200K0200	Holder	1		
I17	HA300B2170	Screw	1	SM11/64 (40) ×9	
I18	H3230K0751	Set screw	2		
I19	H0209K8001	Bushing	1	SM11/64 (40) ×10	
I20	H3215K0696	Oil pipe	1		
I21	H1100I2070	Plunger	1	SM1/8 (44) ×4.8	
I22	H1100I2090	Coil spring	1		
I23	H1100I2110	Guide plate	1		
I24	H3204D6510	Screw	1		
I25	H3215K0693	Screw	1		
I26	H3215K0692	Filter	1		SM9/64 (40) ×5
I27	H3215K0694	Screw	1		
I28	H3215K4011	Base plate complete	1		SM9/64 (40) ×7
I29	H3215K0695	Holder	1		
I30	HA106B0676	Screw	1		SM9/64 (40) ×6
I31	H32311D606	Holder	1		
I32	H3210K0672	Oil pipe	1		
I33	H3200K0170	Holder	1		
I34	H3218K0072	Oil pipe complete	1		
I35	H3217K0071	Oil pipe complete	1		
I36	H3200K0180	Oil wick	1		
I37	H3216K0070	Oil pipe complete	1		
I38	H3204K0655	Oil pipe	1		
I39	H3200K0160	Holder	3		
I40	H3210K0674	Holder	1	SM9/64 (40) ×6	
I41	H3210K0671	Oil pipe connector	1		
I42	H3210K0673	Oil pipe	1		
I42	H6204K8001	Oil pipe	1		



### I.OIL LUBRICATION MECHANISM

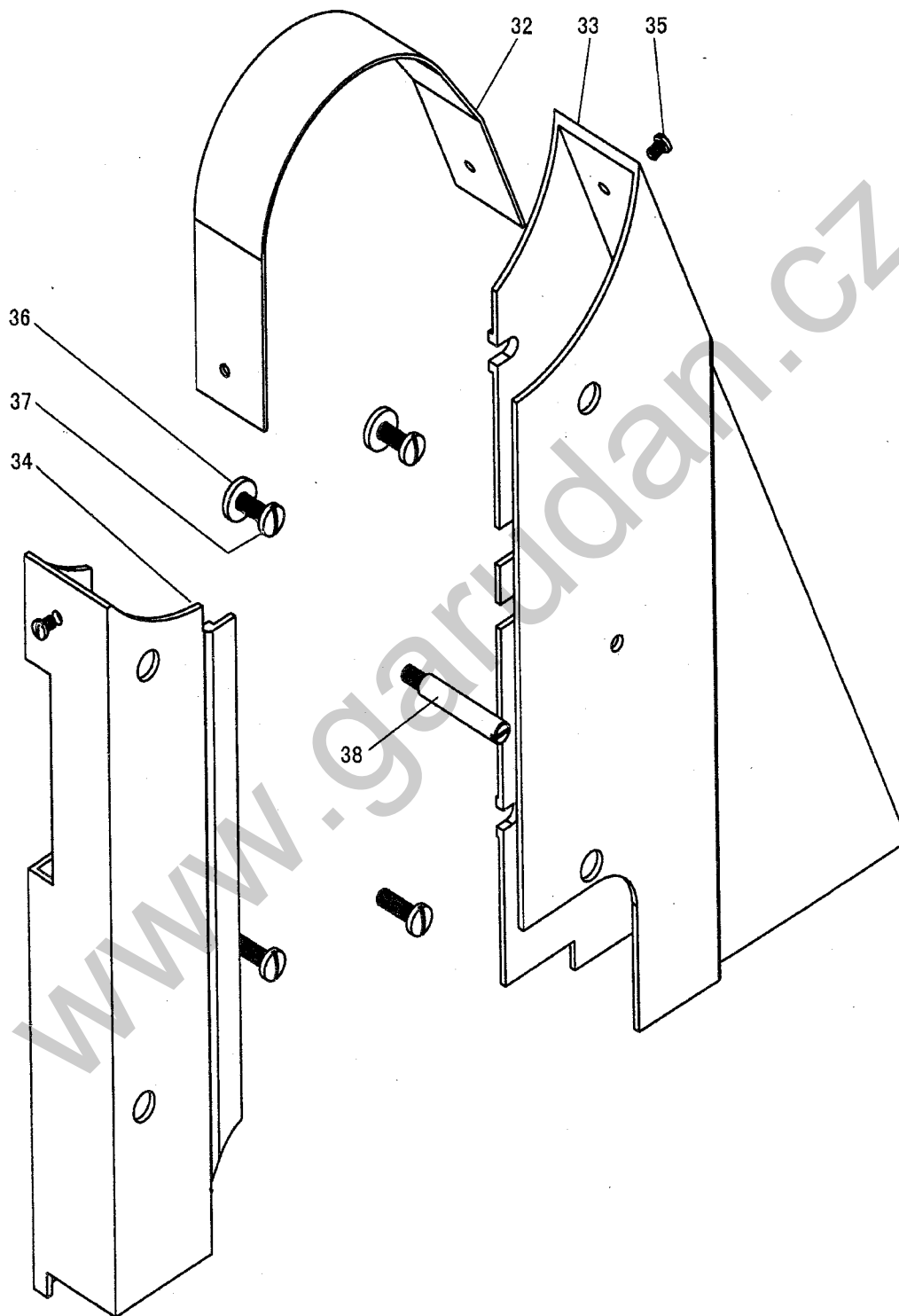
Fig. No.	Part No.	Description	Pcs.	Remarks
I43	HA100E2150	Screw	1	SM11/64 (40) ×10
I44	H3200K0250	Holding plate	1	

# J. ACCESSORIES



J. ACCESSORIES

---

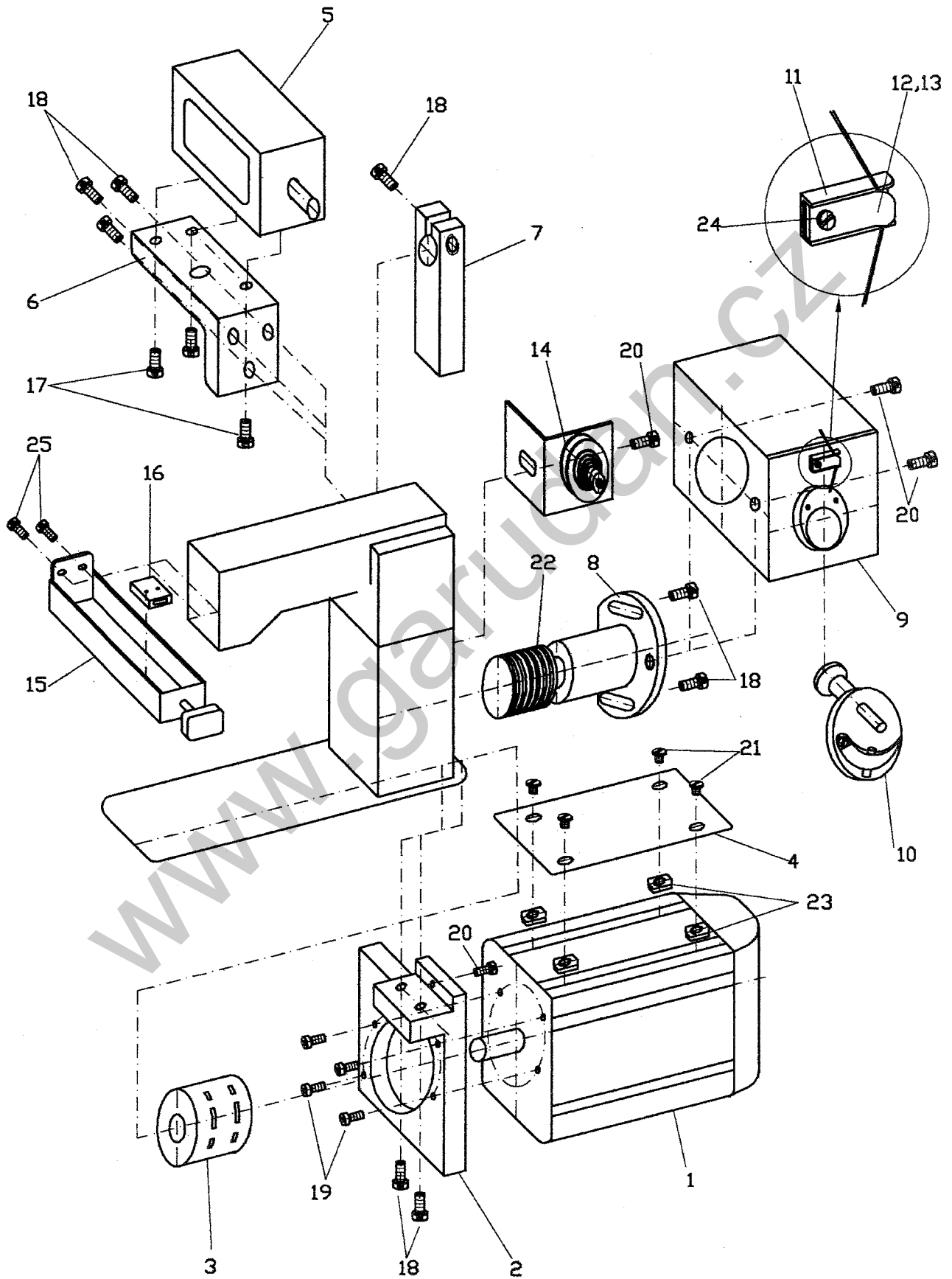


## J.ACCESSORIES

Fig. No.	Part No.	Description	Pcs.	Remarks
J01	H4740F8001	Needle	1	
J02	HE509J8001	Bobbin	4	
J03	HA300J2230	Washer	4	
J04	H801045200	Wood screw	4	
J05	H3200L0020	Vibration preventing rubber	2	
J06	H3200L0030	Vibration preventing rubber	2	
J07	HA307J0067	Hinge complete	2	
J08	HA100J2120	Magnet	1	
J09	HA300J2070	Screw driver (larger)	1	
J10	H3214L0067	Small parts	1	
J11	H3214L2011	Knee lifter pin	1	
J12	H3213L0662	Knee lifter shaft	1	
J13	HA104J0657	Spring	1	
J14	HA104J0659	Screw	2	SM15/64 (28) ×28
J15	HA104J6510	Nut	2	
J16	HA106J0664	Screw	1	SM15/64 (18) ×13
J17	H3213L0664	Knee lifter crank	1	
J18	H007013090	E-type ring	1	GB/T896 9
J19	HA104J0653	Washer	1	
J20	HA104J0652	Screw	1	SM5/16 (28) ×10
J21	H3213L0661	Oil reservoir	1	
J22	H2400K0080	M-type belt	1	
J23	HA100J2180	Vinyl cover	1	
J25	H3200L0130	Oil tank	1	
J26	HA706S0067	Bobbin winder complete	1	
J27	H3200L0120	Cotton stand	1	
J28	HA100J2140	Screw driver(middle)	1	
J29	HA100J2150	Screw driver (small)	1	
J30	HA100J2110	Oiler	1	
J31	H3207L0065	Thread a needle kit	1	
J32	H6307L8001	Belt cover (upper)	1	
J33	H6309L8001	Belt cover (right)	1	
J34	H6310L8001	Belt cover (left)	1	
J35	H200000360	Screw	2	SM11/64 (40) ×6.2
J36	H0206L8001	Washer	2	
J37	H0207L8001	Screw	4	SM15/64 (28) ×18
J38	H0208L8001	Screw	1	SM15/64 (28) ×10

[www.garudan.cz](http://www.garudan.cz)

K: MINIMOTOR, BACTAKING, BOBBIN WINDER



www.garudan.cz

**K. MINIMOTOR, BACTAKING, BOBBIN WINDER**

No.	Part No.	Description	Pcs.	Remarks
K1	HVP70	Minimotor HVP 70	1	
K2	GP/234443001	Bracket	1	
K3	GP/234443003	Clutch	1	
K4	GP/234443004	Cover	1	
K5	GP/EMSA8215-B	Solenoid EMSA 8215-B	1	
K6	GP/SM5-41.8	Holder	1	
K7	GP/SM5-41.22	Bracket N	1	
K8	GP/234443S2	Gear of Bobbin Winder	1	
K9	GP/GU-100-001	Bobbin Winder Bracket	1	
K10	GP/259431-1	Bobbin Winder Bracket	1	
K11	GP/MS-102243	Knife	1	
K12	GP/MS-102243-1	Spring	1	
K13	GP/MS-102243-2	Spring	1	
K14	GP/SM12-1.1	Thread Tension	1	
K15	GP/12-013A-7507-U	Reverse Button Ass'y	1	
K16	GP/12-003A-7507	Reverse Button S/W Assembly	1	
K17	GP/M4x12	Screw M4x12 DIN 912	3	
K18	GP/M6x14	Screw M6x14 DIN 912	7	
K19	GP/M5x20	Scrtew M5x20 DIN 912	4	
K20	GP/M5x14	Screw M5x14 DIN 912	4	
K21	GP/M6x10	Screw M6x10	4	
K22	GP/36x3	O-Ring 36x3	6	
K23	GP/M6	Nut M6 DIN 934	1	
K24	GP/M3x5	Screw M3x5 DIN 84A	1	
K25	GP/M4x12	Screw M4x12 DIN 84A	2	



[www.garudan.cz](http://www.garudan.cz)